



# SL

Series  
230 pound  
450 pound

Extractor  
Washer  
Extractor



# SL Series - SOFTMOUNT

SL Series - Softmount Economical Split Pocket Washer-Extractors for Large On-Premises, Commercial and Industrial Laundries including Resort Hospitality, Health Care and Correctional Facilities

Industrial Reliability, Simplicity and Performance at an Exceptional Value

The split pocket SL series is a freestanding traditional machine for those installations that require reliability and dependability at a low cost of investment. This rugged end loader is suitable for correctional institution and military installations, including hospitality and health care installations where manpower is readily available. Compact design saves space as this series of machines use less space per pound of washing than other machine of like capacity. Genuine features, such as simple drive and heavy-duty suspension system make this machine model one of the most durable machines in the market.

## Powerful Advanced Computer Control Center



The advanced EL 6 electronic control center is easy to use and has the features needed for maximum productivity and lowest cost of operation. The microprocessor controls the temperatures, water levels, speeds and maintenance intervals. A thermal cool down is programmable that will ensure optimal performance for any garments that require special wrinkle control and other special treatments. It can be programmed both individual and with a PC. It can also be used with a memory card that significantly simplifies the programming at installation. The EL 6 can be programmed to display in five languages and keep track of operation times, number of cycles and maintenance. It has features for programming any wash activity to meet today and tomorrow's demand for water treatment of textile fiber and garments. It is the most flexible control yet developed for the stand-alone commercial and industrial washers in the industry and has proven track record for reliability.



## Optional Card Programmer Control

An optional card programmer system is available for those preferring card controllers for simplicity. A card controller is easy to operate, flexible and easy to maintain. It allows for a number of programming combinations that will reduce operation cost and maintenance.



## Heavy Duty Cylinder

The highest quality materials and rugged cylinder design with spherical roller bearings make this a truly heavy-duty machine. The cylinder and doors are made of 304 (18/8) stainless steel. The outer doors are provided with a safe and strong door interlock that prevents opening of the doors while the machine is in operation. A manual jogging system to positioning the cylinder in line with the outer doors is standard. An automatic jogging system is optional.



# Split Pocket Industrial Economy Washer-Extractors

## Supply Dispenser and External Liquid Supply Connection

A five (5) compartments dispenser for both liquid and powder detergents is standard. The dispenser is mounted on the left side of the machine at a convenient height for easy reach. The dispenser is flushed automatically during the wash cycle. All machines come standard with six (6) supply signals and liquid connections.



## Robust Energy Efficient Drive

The machine is provided with a single totally enclosed standard motor that is controlled electronically by a variable frequency drive. This makes the machine control simple and very flexible. The inverter reduces the peak energy demands, saving energy, and lowers the inrush current. It is also a watchdog for the motor, protecting it against overload and over voltage. The single motor drive and inverter eliminate clutches, gear reducers, and idlers, plus reduces the use of electromechanical components such as contractors and relays. It provides a powerful yet simple drive alternative that is more economical than multi motor drives. The inverter makes it possible to achieve high extract speeds that achieve significant energy and time saving in the drying process. A multi motor drive is optional.

## Single Motor Drive

The single motor is controlled by a variable frequency drive. The drive reduces the peak demands and saves energy. It is also a watch dog for the motor to protect it from overload and over voltage. The single motor drive eliminates clutches, gear reducers and idlers. The drive also monitors the out of balance load in the machine and many other parameters.



## Multiple-Motor Drive

Separated motors are used for washing, balancing speed, and low and high speed extraction. This reduces the peak load on each motor and allows use of smaller motors that require less electrical power. Self-adjusting, self-aligning clutch requires no field adjustment.

## Freestanding Construction and an Unsurpassed Suspension System

Heavy-duty coil springs and shock absorbers result in suspension system that absorbs even severe out-of-balance load vibrations. Out-of-balance switch automatically stops the machine in case of the out-of-balance load. The machine can be installed on any floor strong enough to support the static weight of the fully loaded machine. Air cushion suspension is also available.



# The most economical machine in your laundry

## Specification

Model	Unit	SL230-2	SL450-3
Max ; Loading Capacity (dry weight)	lbs (kg)	230 (105)	450 (204)
Pockets	no.	2	3
Cylinder size (Dia. x Depth)	inch (mm.)	44x42 (1118x1067)	60x44 (1524x1118)
Wash Speed	rpm	32	26
Balance Speed	rpm	62	272
Extraction Lo-Speed	rpm	350	544
Extraction Hi-Speed	rpm	620	40
Single Motor	hp	25	
Multiple Motors :			
Wash Motor	hp	3	5
Balance Motor	hp	5.5	7.5
Extract Motor (Lo/Hi)	hp	7.5/15	10/20
Electric Consumption	kw	3.52	6.02
Voltage Requirements :		220-415v / 50-60 / 3 Ph	
Steam Operating Pressure	psi	80-125	80-125
Automatic Water Inlet Valve size	inch (mm.)	2 (51)	2 (51)
Steam Inlet Valve size	inch (mm.)	3/4 (19)	1-1/4 (32)
Drain Valve size	inch (mm.)	6 (152)	8 (203)
Drain Rate	gpm	220	300
Overall Dimension (WxDxH)	inch (mm.)	74x76x74 (1880x1930x1880)	110x84x94 (2794x2134x2388)
Domestic Shipping Weight (approx.)	lbs (kg)	5850 (2600)	12940 (5751)
Export Shipping Weight (approx.)	lbs (kg)	6780 (3013)	14450 (6422)
Export Volume	cu.ft (cu.m)	321 (9.09)	580 (16.43)

Specification and Design subject to change without notice  
Additional options : Consult factory or distributor

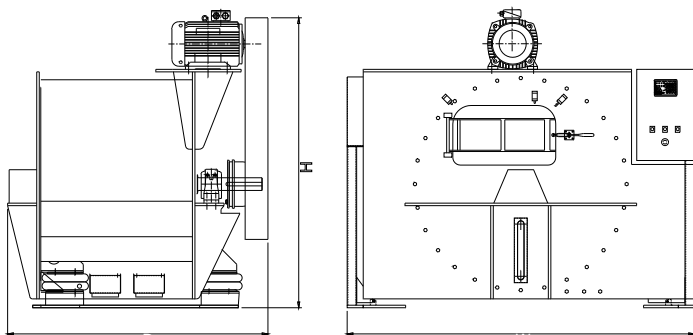
## Standard Features :

- Single motor with variable speed frequency inverter
- Microprocessor control or programmer card control
- All wetted parts are 304 (18/8) stainless steel
- Heavy-duty spring suspension system
- Anti vibration switch
- 5 compartment automatic supply dispensers
- 6 external liquid supply connections
- Totally enclose heavy duty drive motor
- Bearing outside the wash solution

## Optional Features :

- Automatic jogging system
- Dual rear drain valves
- Front stainless steel panel
- Multi motor drive
- Aircushion suspension system
- Direct steam heating
- Water reuse inlet and drain
- EMI filter for CE
- PC programming kit

(SL 450)



Distributed by :



B&C Technologies

440 West 11th Street  
Panama City, FL 32401

Ph: 850-249-2222

Fax: 850-249-2226

www.bandctech.com

sales@bandctech.com